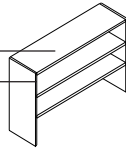


Master Series Bulk Sort Units

- Desktop Bulk Sort Units have an aluminum-extrusion front edge.
- Bulk Sort Units with angled shelves have a 1" x 1" aluminum stop on shelf front. Shelves are angled at 25 degrees and will hold three or four mail tubs or AB35-200 bins per shelf (depending on model width).
- Bulk Sort Units w/ Flat Shelves have an inside shelf clearance of 10^{13/16"}. Units w/ angled shelves have an inside clearance of 16^{3/4"} between angled shelves and a top shelf inside clearance of 12^{1/4"}.
- Bins must be ordered separately.
- All Bulk Sort Units are shipped fully assembled. When getting freight quotes, specify Class 100. If dimensions are required, add 3" to each dimension for packing materials.
- Colors must be specified for each of the following:
 Bulk Sort laminate _____
 Edge banding color _____



Bulk Sort Units w/ Flat Shelves

One Shelf

Model #	Width	Depth	Height	Weight
SB551924	56 ^{1/8}	19	24	110
SB691924	69 ^{13/16}	19	24	130

Two Shelves

Model #	Width	Depth	Height	Weight
SB551936	56 ^{1/8}	19	36	160
SB691936	69 ^{13/16}	19	36	190

Three Shelves

Model #	Width	Depth	Height	Weight
SB551948	56 ^{1/8}	19	48	230
SB691948	69 ^{13/16}	19	48	270

Bulk Sort Units w/ Angled Shelves

One Shelf

Model #	Width	Depth	Height	Weight
AB482021	48 ^{1/8}	20	21	102
AB602021	59 ^{13/16}	20	21	122

Two Shelves

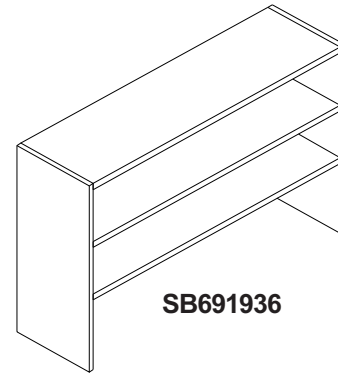
Model #	Width	Depth	Height	Weight
AB482042	48 ^{1/8}	20	42	177
AB602042	59 ^{13/16}	20	42	209

Three Shelves

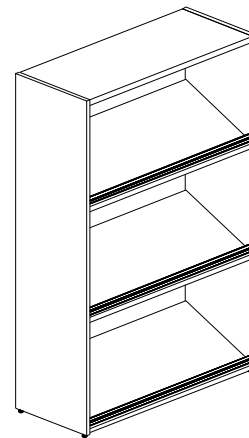
Model #	Width	Depth	Height	Weight
AB482061	48 ^{1/8}	20	61	248
AB602061	59 ^{13/16}	20	61	272

Four Shelves

Model #	Width	Depth	Height	Weight
AB482081	48 ^{1/8}	20	81	320
AB602081	59 ^{13/16}	20	81	377



SB691936



AB482061

Bulk Sort Bins

1. SB1219 bins are made of molded plastic and have a full-width index channel. Index strips are included.
2. SB1219 bins will fit inside oversize sort modules, but must rest on shelf.
3. Bins for Angled-Shelf Bulk Sort Units are available in red, blue and grey. If no color is specified, bins will be grey.
4. Bins for Angled-Shelf Bulk Sort Units nest together to take up minimal space when not in use.
5. AB34-240 bins are multi-purpose with rounded corners and rolled-top rims to form comfortable handles for easy carrying.
6. AB34-240 and A-B13-017 bins are available in grey only.
7. AB13-017 bins stack to form tall storage arrangements.

Bins for Bulk Sort Units w/ Flat Shelves

<i>Model #</i>	<i>Width</i>	<i>Depth</i>	<i>Height</i>	<i>Weight</i>
SB1219	12 ^{3/4}	19	6	3

Bins for Bulk Sort Units w/ Angled Shelves

<i>Model #</i>	<i>Width</i>	<i>Depth</i>	<i>Height</i>	<i>Weight</i>
AB35-200*	13 ^{1/2}	19 ^{1/2}	8	6
	<i>Description</i>			
AB35-201	Lids for AB35-200			
AB35-010	Label holder for AB35-200			

* To specify red or blue bins, add 'R' or 'B' to the end of the model number

All Purpose Bins

<i>Model #</i>	<i>Width</i>	<i>Depth</i>	<i>Height</i>	<i>Weight</i>
AB34-240	19	24 ^{1/2}	9 ^{1/2}	6
AB13-107	18 ^{7/8}	15 ^{1/4}	12 ^{7/16}	5